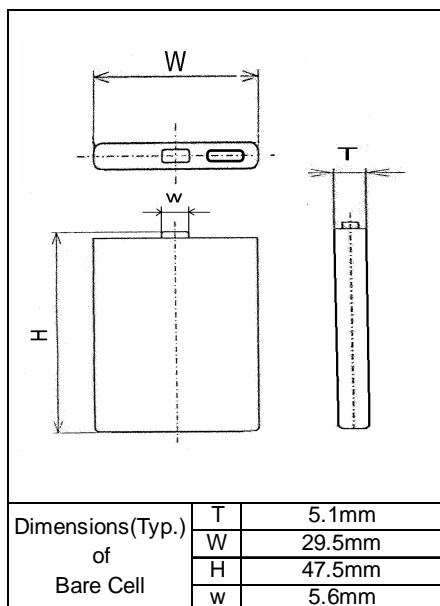


Cell Type UF553048F

Specifications



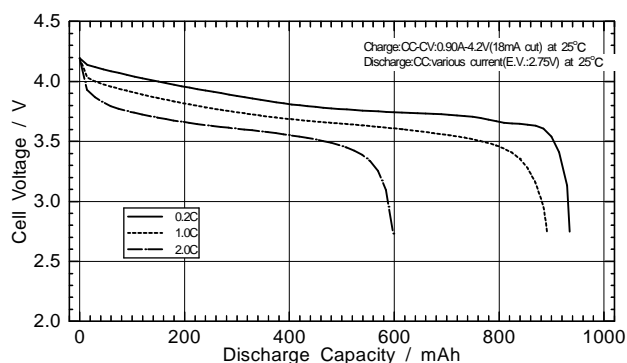
Nominal Capacity		Min.900mAh
Nominal Voltage		3.7V
Charging Method		Constant Current -Constant Voltage
Charging Voltage		4.2V
Charging Current		Std. 900mA
Charging Time		2.5hrs.
Ambient Temperature	Charge	0~+40°C
	Discharge	-20~+60°C
	Storage	-20~+50°C
Weight (Max.)		17.9g
Dimensions (Max.)	(T)	5.40mm
	(W)	29.65mm
	(H)	47.80mm
Volumetric Energy Density		435Wh/l
Gravimetric Energy Density		186Wh/kg

Discharged State after Assembling

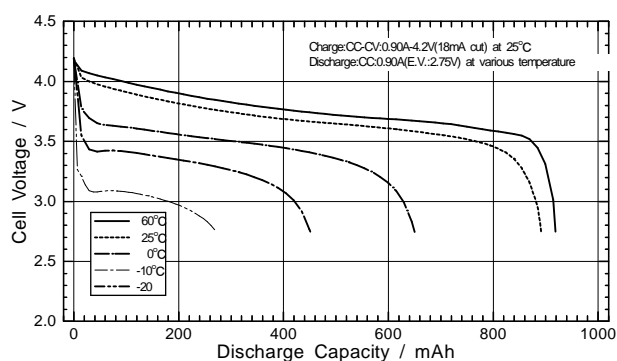
*The maximum thickness of the standard shipment charging condition

Typical Characteristics

Discharge rate characteristics



Discharge temperature characteristics



Charge characteristics

